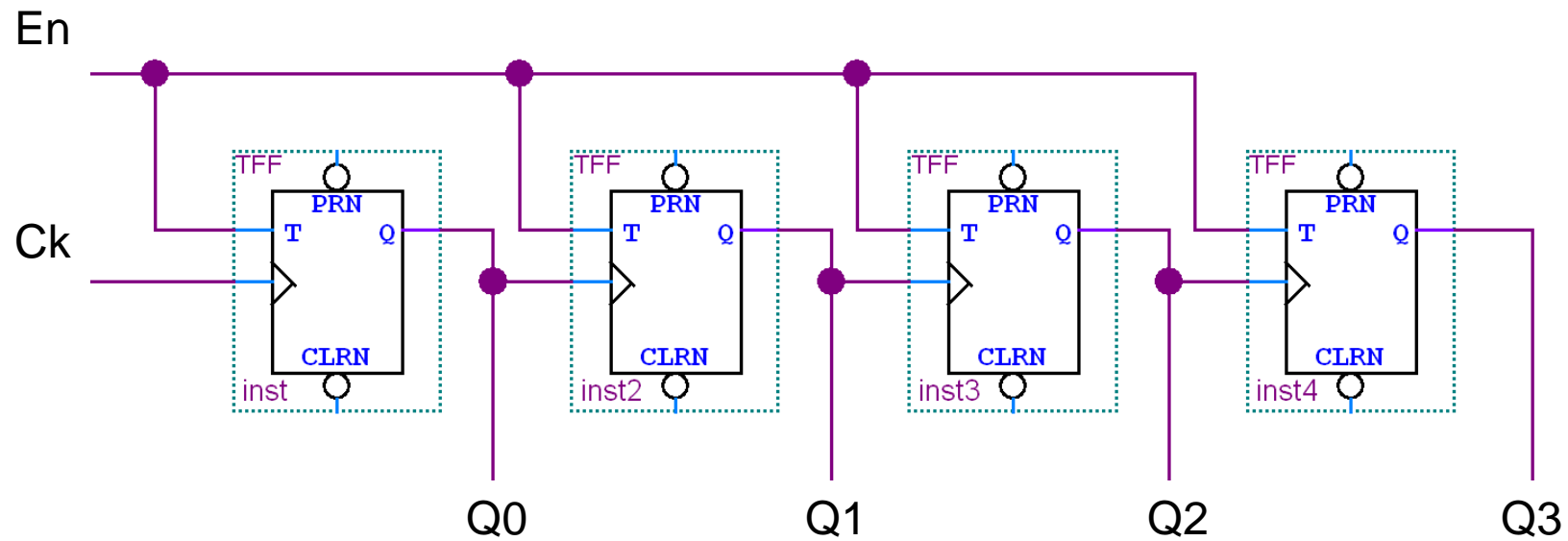
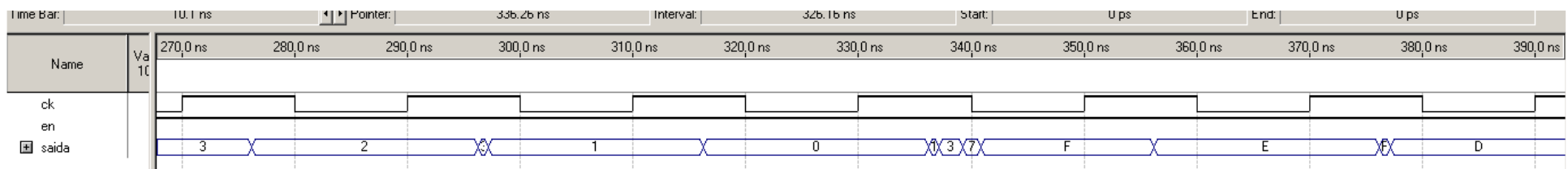
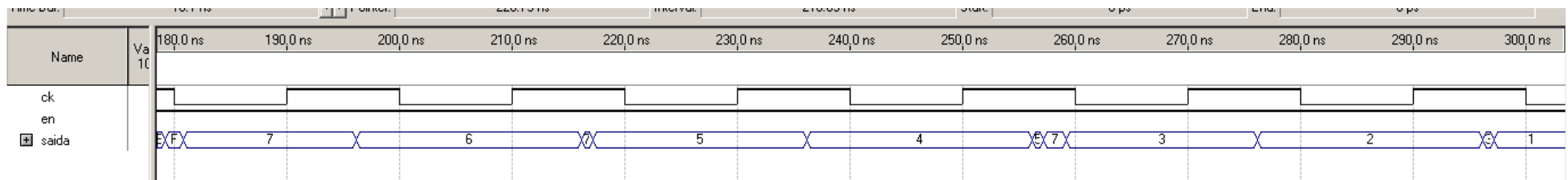
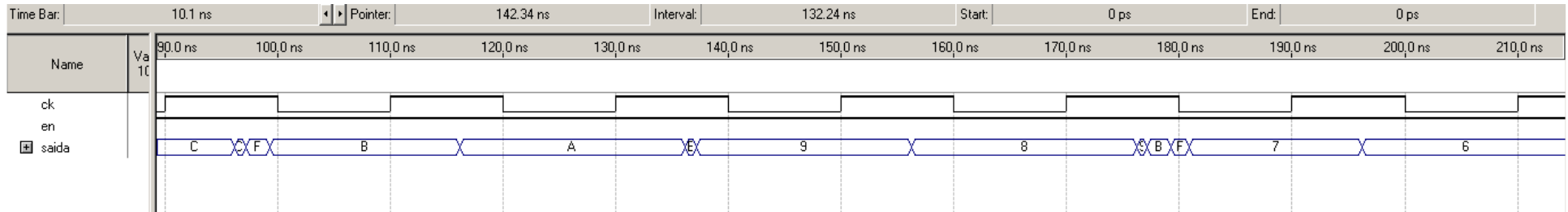
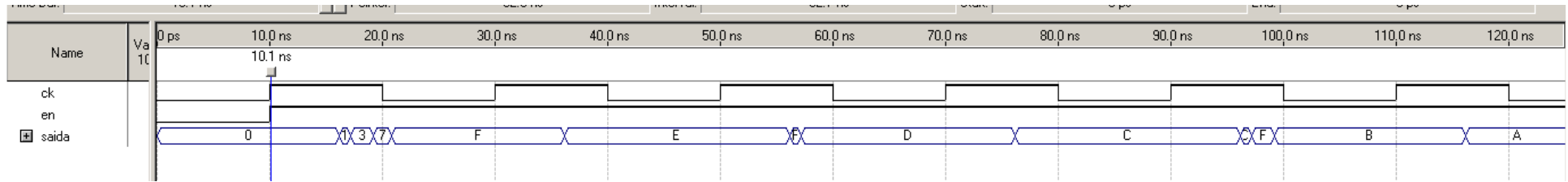


Contador-down mod 16 assíncrono





Simulação





tempo	0 1 =	ck en	q3	q2	q1	q0
0.0>	0 1 =	0 0 0 0				
10.0>	1 1 =	0 0 0 0				
16.18>	1 1 =	0 0 0 1				
17.167>	1 1 =	0 0 1 1				
19.239>	1 1 =	0 1 1 1				
20.0>	0 1 =	0 1 1 1				
20.826>	0 1 =	1 1 1 1	←			F
30.0>	1 1 =	1 1 1 1				
36.18>	1 1 =	1 1 1 0	←			E
40.0>	0 1 =	1 1 1 0				
50.0>	1 1 =	1 1 1 0				
56.18>	1 1 =	1 1 1 1				
57.167>	1 1 =	1 1 0 1	←			D
60.0>	0 1 =	1 1 0 1				
70.0>	1 1 =	1 1 0 1				
76.18>	1 1 =	1 1 0 0	←			C
80.0>	0 1 =	1 1 0 0				
90.0>	1 1 =	1 1 0 0				
96.18>	1 1 =	1 1 0 1				
97.167>	1 1 =	1 1 1 1				
99.239>	1 1 =	1 0 1 1	←			B
100.0>	0 1 =	1 0 1 1				
110.0>	1 1 =	1 0 1 1				
116.18>	1 1 =	1 0 1 0	←			A
120.0>	0 1 =	1 0 1 0				
130.0>	1 1 =	1 0 1 0				
136.18>	1 1 =	1 0 1 1				
137.167>	1 1 =	1 0 0 1	←			9
140.0>	0 1 =	1 0 0 1				
150.0>	1 1 =	1 0 0 1				
156.18>	1 1 =	1 0 0 0	←			8
160.0>	0 1 =	1 0 0 0				
170.0>	1 1 =	1 0 0 0				
176.18>	1 1 =	1 0 0 1				
177.167>	1 1 =	1 0 1 1				
179.239>	1 1 =	1 1 1 1				
180.0>	0 1 =	1 1 1 1				

Saída tabular

180.826>	0 1 =	0 1 1 1	←	7
190.0>	1 1 =	0 1 1 1		
196.18>	1 1 =	0 1 1 0		
200.0>	0 1 =	0 1 1 0	←	6
210.0>	1 1 =	0 1 1 0		
216.18>	1 1 =	0 1 1 1		
217.167>	1 1 =	0 1 0 1	←	5
220.0>	0 1 =	0 1 0 1		
230.0>	1 1 =	0 1 0 1		
236.18>	1 1 =	0 1 0 0	←	4
240.0>	0 1 =	0 1 0 0		
250.0>	1 1 =	0 1 0 0		
256.18>	1 1 =	0 1 0 1		
257.167>	1 1 =	0 1 1 1		
259.239>	1 1 =	0 0 1 1		
260.0>	0 1 =	0 0 1 1	←	3
270.0>	1 1 =	0 0 1 1		
276.18>	1 1 =	0 0 1 0	←	2
280.0>	0 1 =	0 0 1 0		
290.0>	1 1 =	0 0 1 0		
296.18>	1 1 =	0 0 1 1		
297.167>	1 1 =	0 0 0 1	←	1
300.0>	0 1 =	0 0 0 1		
310.0>	1 1 =	0 0 0 1		
316.18>	1 1 =	0 0 0 0	←	0
320.0>	0 1 =	0 0 0 0		
330.0>	1 1 =	0 0 0 0		
336.18>	1 1 =	0 0 0 1		
337.167>	1 1 =	0 0 1 1		
339.239>	1 1 =	0 1 1 1		
340.0>	0 1 =	0 1 1 1		
340.826>	0 1 =	1 1 1 1	←	F