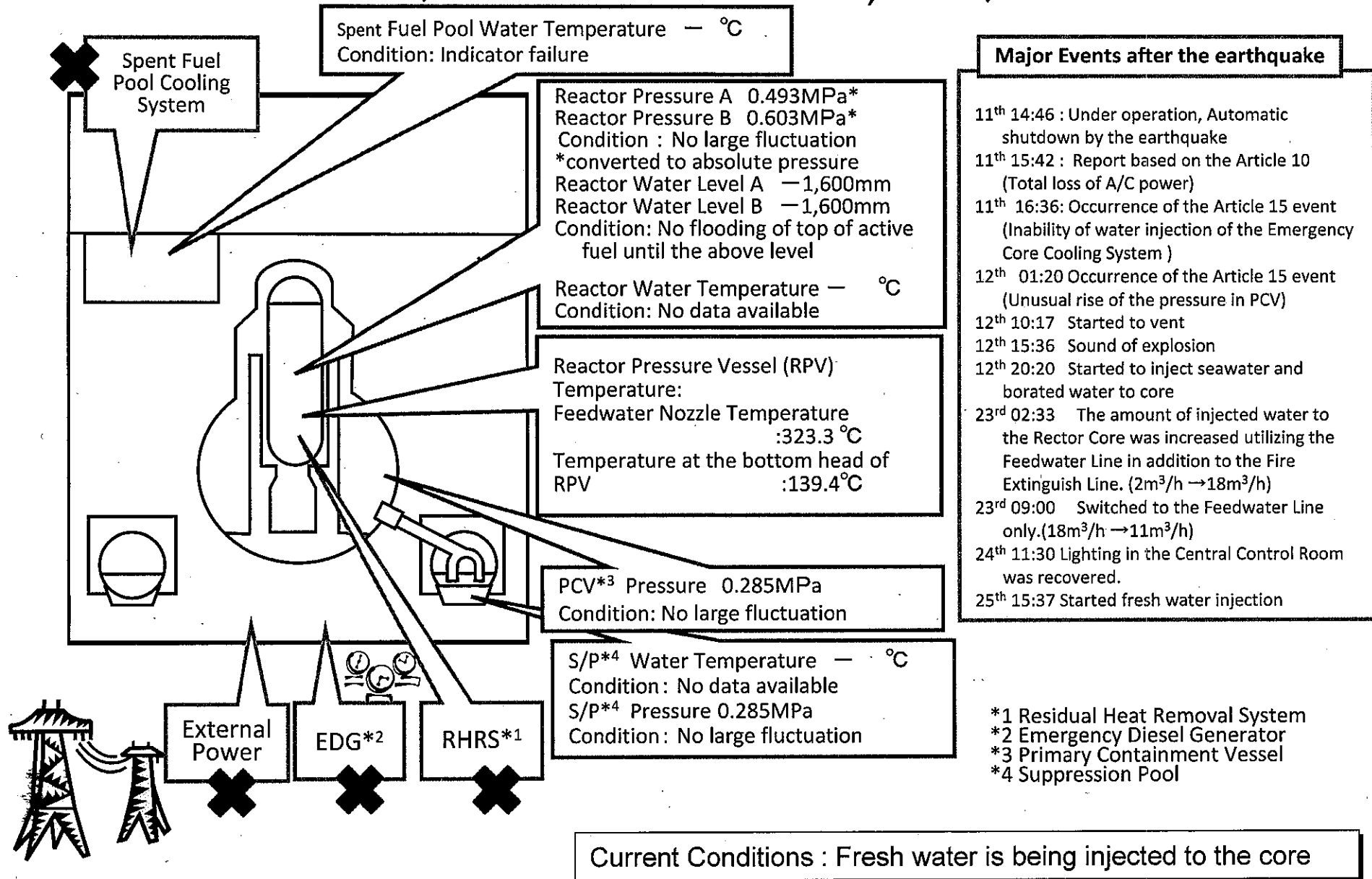
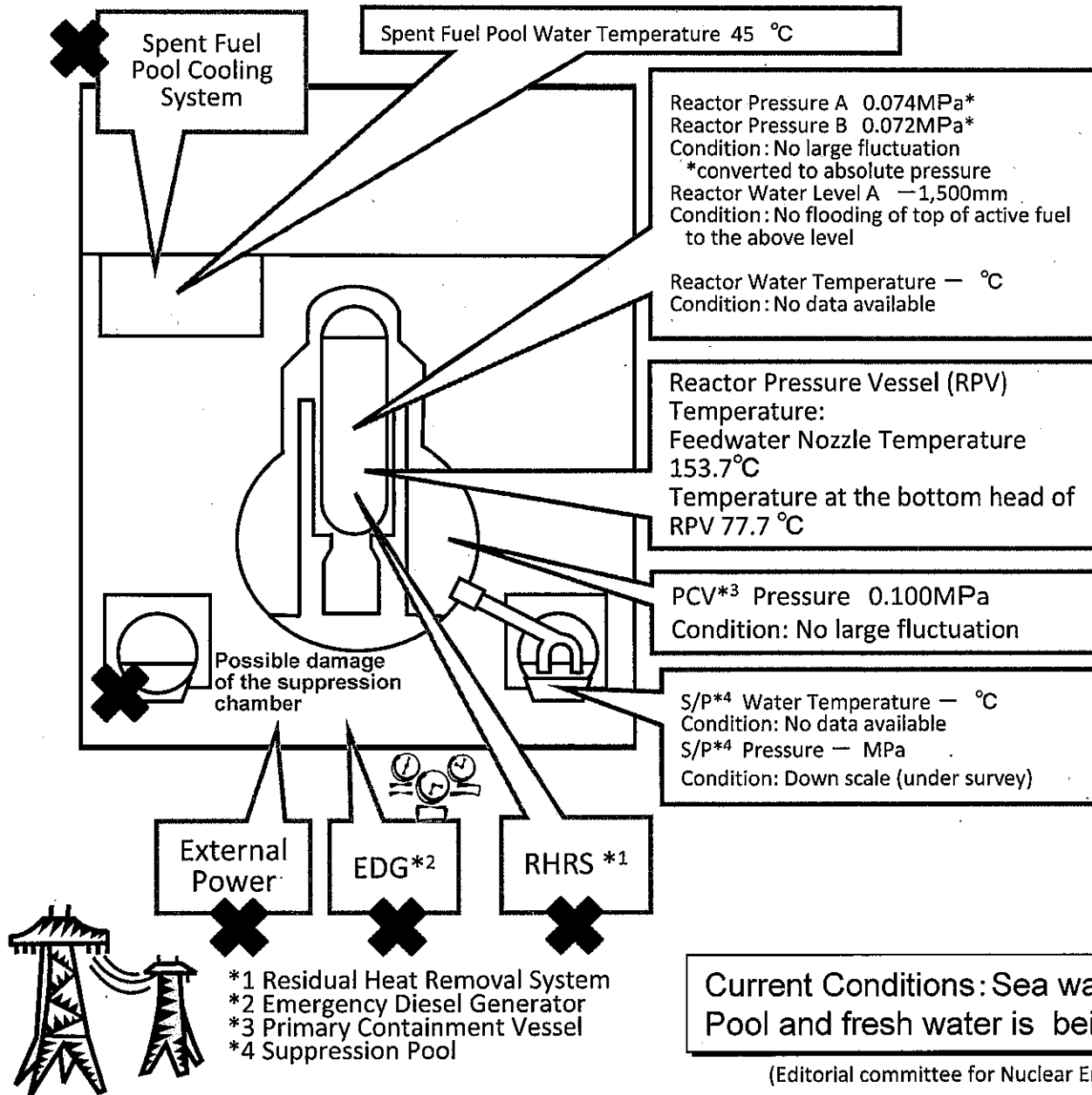


Conditions of Fukushima Dai-ichi Nuclear Power Station Unit 1 (As of 06:00 March 29th, 2011)



Conditions of Fukushima Dai-ichi Nuclear Power Station Unit 2 (As of 06:00 March 29th, 2011)

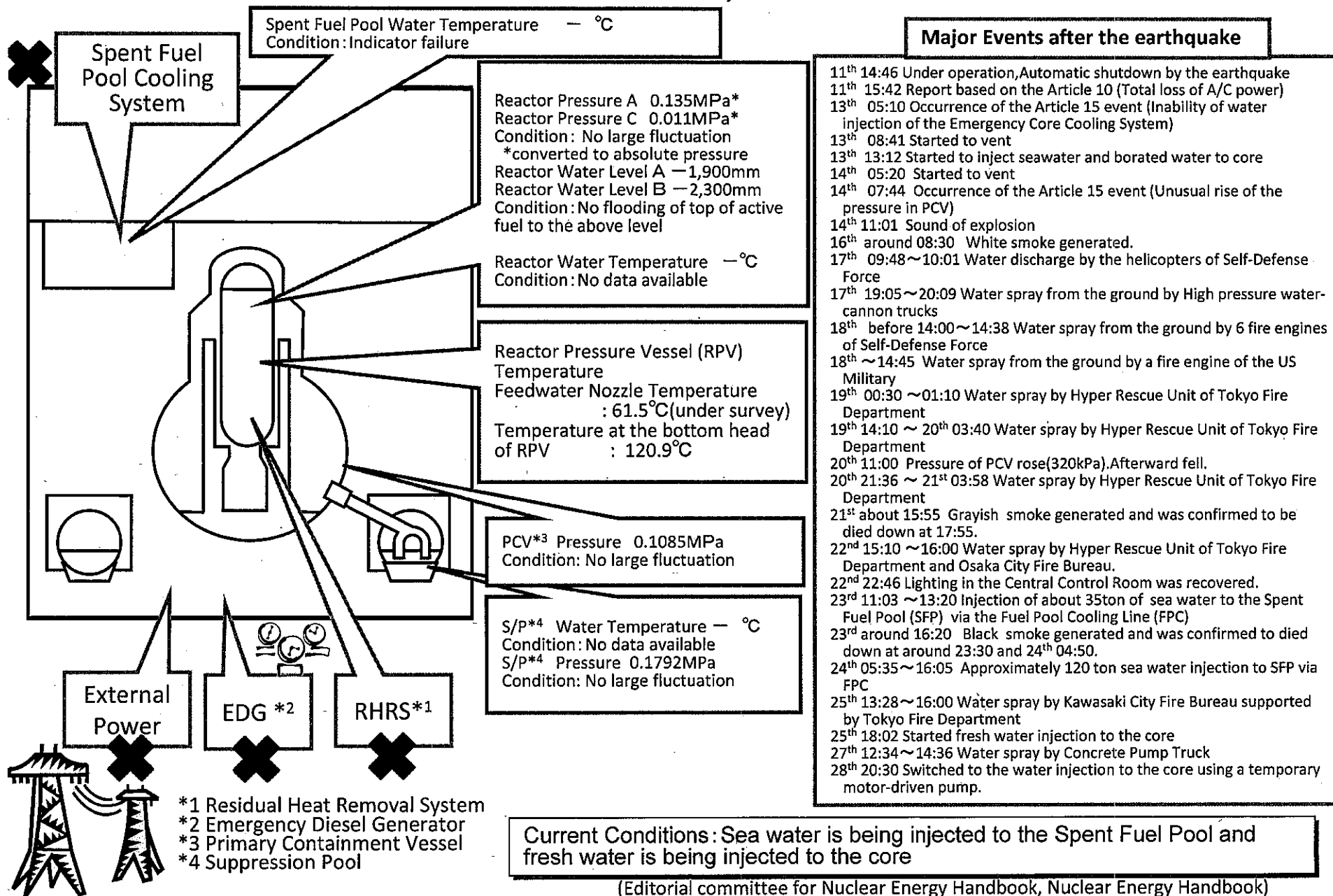
Major Events after the earthquake



- 11th 14:46 Under operation, Automatic shutdown by the earthquake
- 11th 15:42 Report based on the Article 10 (Total loss of A/C power)
- 11th 16:36 Occurrence of the Article 15 event (Inability of water injection of the Emergency Core Cooling System)
- 13th 11:00 Started to vent
- 14th 13:25 Occurrence of the Article 15 event (Loss of reactor cooling functions)
- 14th 16:34 Started to inject water to the Reactor Core
- 14th 22:50 Occurrence of the Article 15 event (Unusual rise of the pressure in PCV)
- 15th 00:02 Started to vent
- 15th 06:10 Sound of explosion
- 15th around 06:20 Possible damage of the suppression chamber
- 20th 15:05~17:20 Approximately 40 ton seawater injection to the Spent Fuel Pool (SFP) via the Fuel Pool Cooling Line (FPC)
- 20th 15:46 Power Center received electricity.
- 21st 18:22 White smoke generated. The smoke died down and almost invisible at 07:11 March 22nd.
- 22nd 16:07 Injection of around 18 tons of seawater to SFP
- 25th 10:30~12:19 Sea water injection to SFP via FPC
- 26th 10:10 Started to inject fresh water to the Reactor Core
- 26th 16:46 Lighting in the Central Control Room was recovered.
- 27th 18:31 Switched to the water injection to the core using a temporary motor-driven pump.

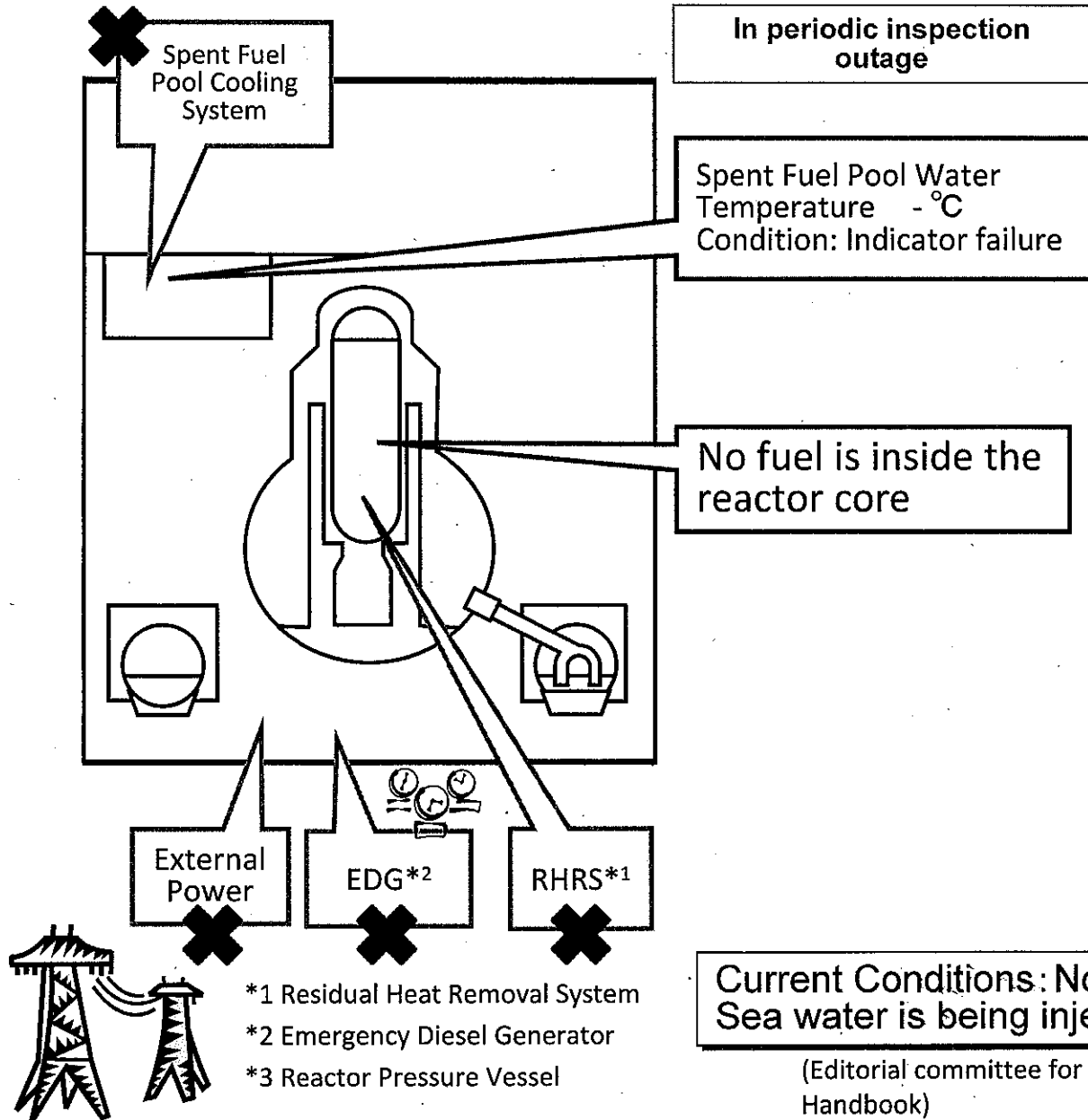
Current Conditions: Sea water is being injected to the Spent Fuel Pool and fresh water is being injected to the core

Conditions of Fukushima Dai-ichi Nuclear Power Station Unit 3 (As of 06:00 March 29th, 2011)



Conditions of Fukushima Dai-ichi Nuclear Power Station Unit 4 (As of 06:00 March 29th, 2011)

Major events after the earthquake



In periodic inspection outage when the earthquake occurred.

14th 04:08 Water temperature in the Spent Fuel Pool (SFP), 84°C

15th 06:14 Partial damage of wall in the 4th floor confirmed

15th 09:38 Fire occurred in the 3rd floor. (12:25 extinguished)

16th 05:45 Fire occurred. TEPCO couldn't confirm any fire on the ground. (06:15)

20th 08:21 ~ 09:40 Water spray over SFP by Self-Defense Force

20th around 18:30 ~ 19:46 Water spray over SFP by Self-Defense Force

21st 06:37 ~ 08:41 Water spray over SFP by Self-Defense Force

21st about 15:00 Work for laying cable to Power Center was completed.

22nd 10:35 Power Center received electricity

22nd 17:17 ~ 20:32 Water spray by Concrete Pump Truck

23rd 10:00 ~ 13:02 Water spray by Concrete Pump Truck

24th 14:36 ~ 17:30 Water spray by Concrete Pump Truck

25th 06:05 ~ 10:20 Sea water injection to SFP via the Fuel Pool Cooling Line (FPC)

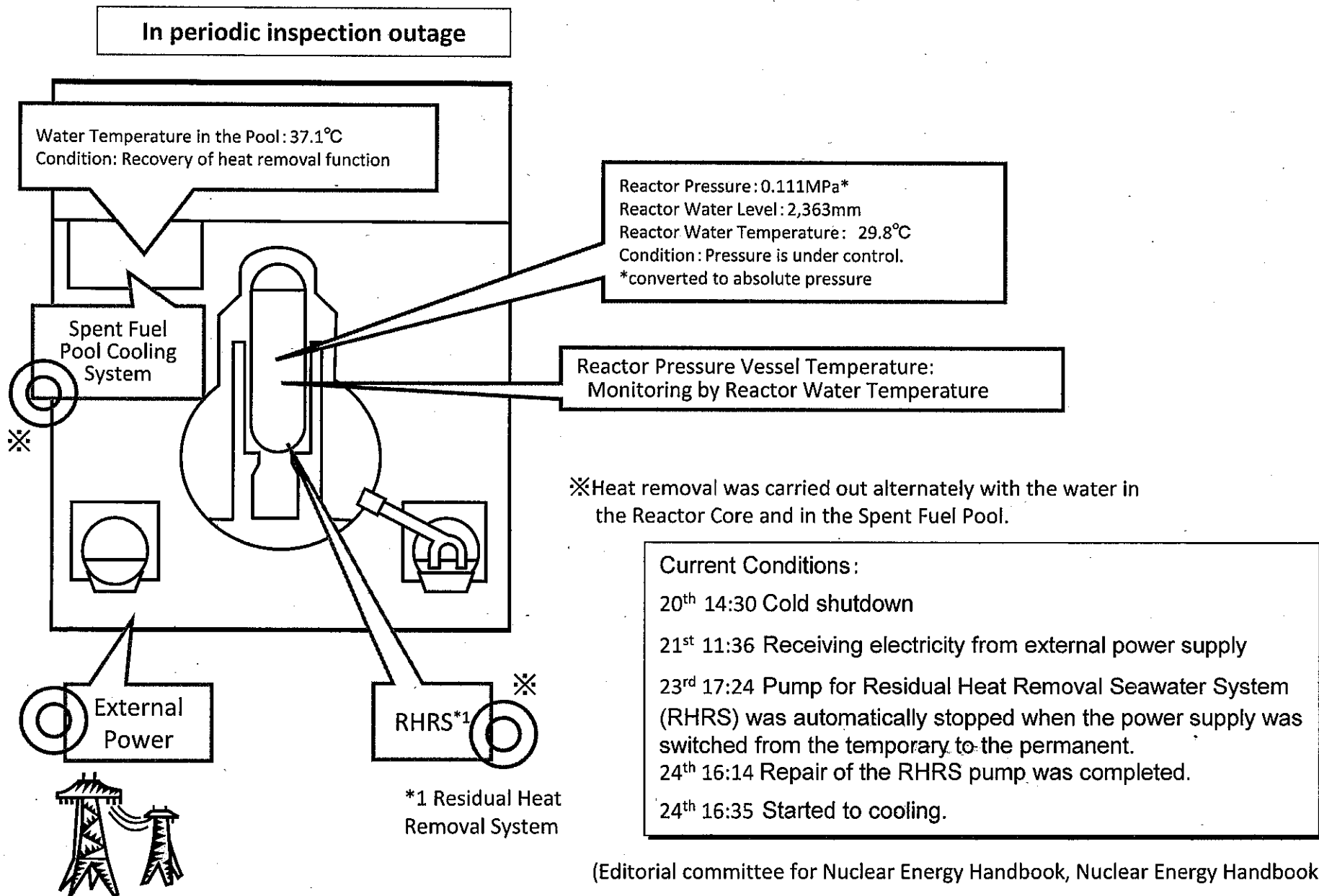
25th 19:05 ~ 22:07 Water spray by Concrete Pump Truck

27th 16:55 ~ 19:25 Water spray by Concrete Pump Truck

**Current Conditions: No fuel is in RPV*3.
Sea water is being injected to the Spent Fuel Pool.**

(Editorial committee for Nuclear Energy Handbook, Nuclear Energy Handbook)

Conditions of Fukushima Dai-ichi Nuclear Power Station Unit 5 (As of 06:00 March 29th, 2011)



Conditions of Fukushima Dai-ichi Nuclear Power Station Unit 6 (As of 06:00 March 29th, 2011)

In periodic inspection outage

Water Temperature in the Pool: 22.0°C
Condition: Recovery of heat removal function.

Current Conditions:
20th 19:27 Cold shutdown.
22nd 19:17 Receiving electricity from external power supply.

Spent Fuel Pool Cooling System

Reactor Pressure: 0.106MPa*
Reactor Water Level: 1,965mm
Reactor Water Temperature: 48.9°C
Condition: Pressure is under control.
*converted to absolute pressure

Reactor Pressure Vessel Temperature:
Monitoring by Reactor Water Temperature

External Power

RHRS*1

※Heat removal was carried out alternately with the water in the Reactor Core and in the Spent Fuel Pool.

*1 Residual Heat Removal System

(Editorial committee for Nuclear Energy Handbook, Nuclear Energy Handbook)

