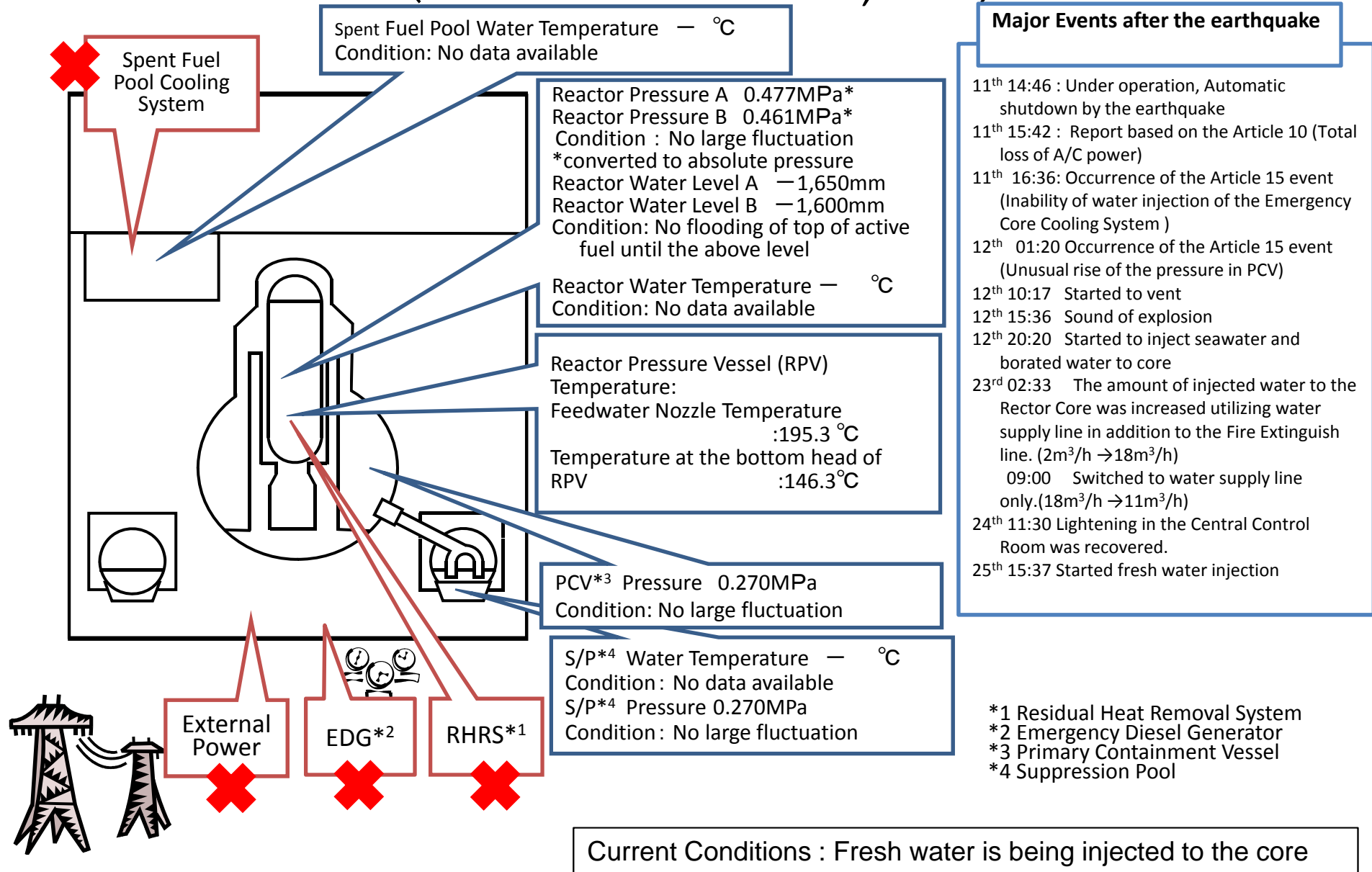
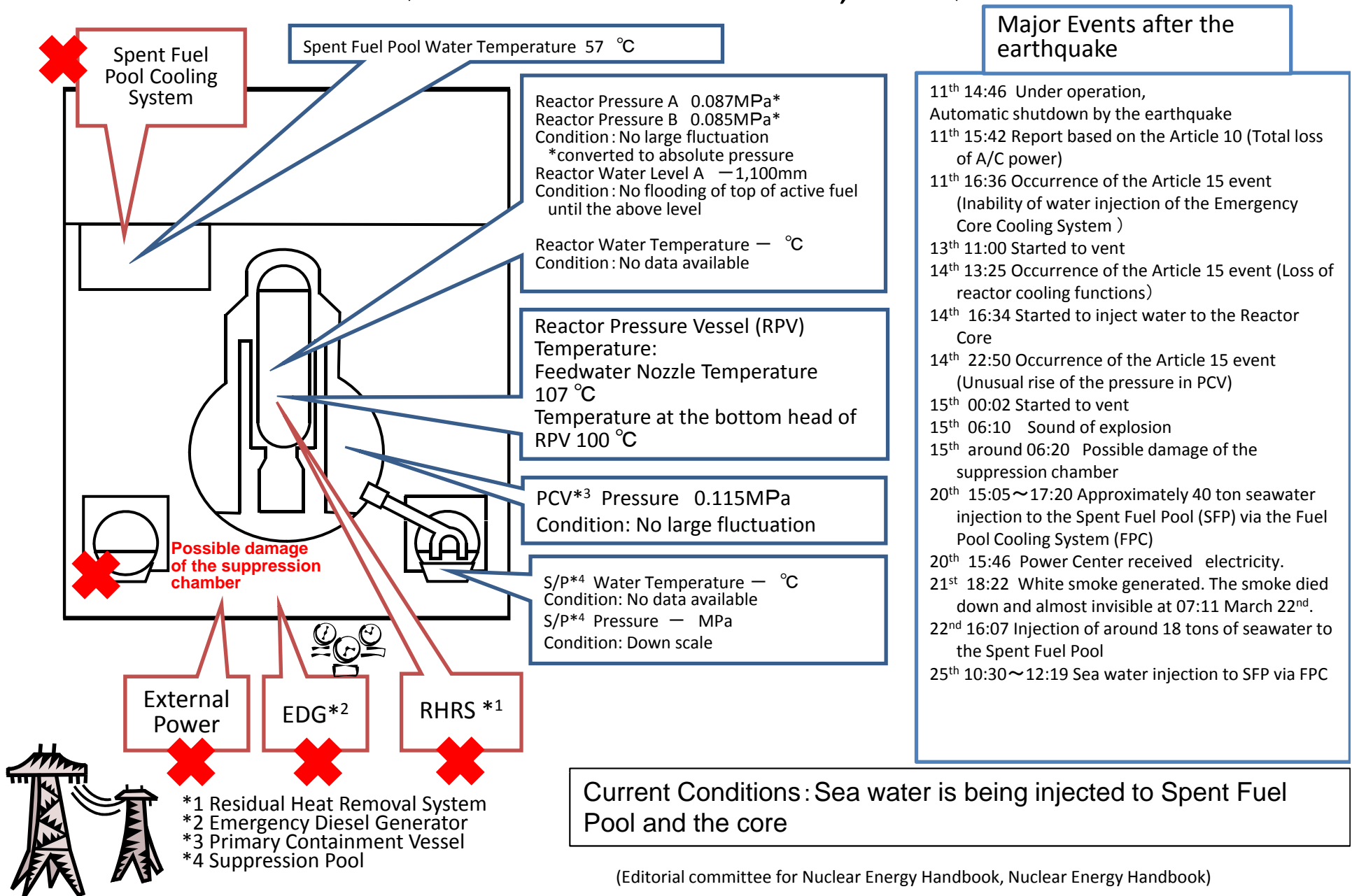


Conditions of Fukushima Dai-ichi Nuclear Power Station **Unit 1** (As of 11:00 March 26th, 2011)

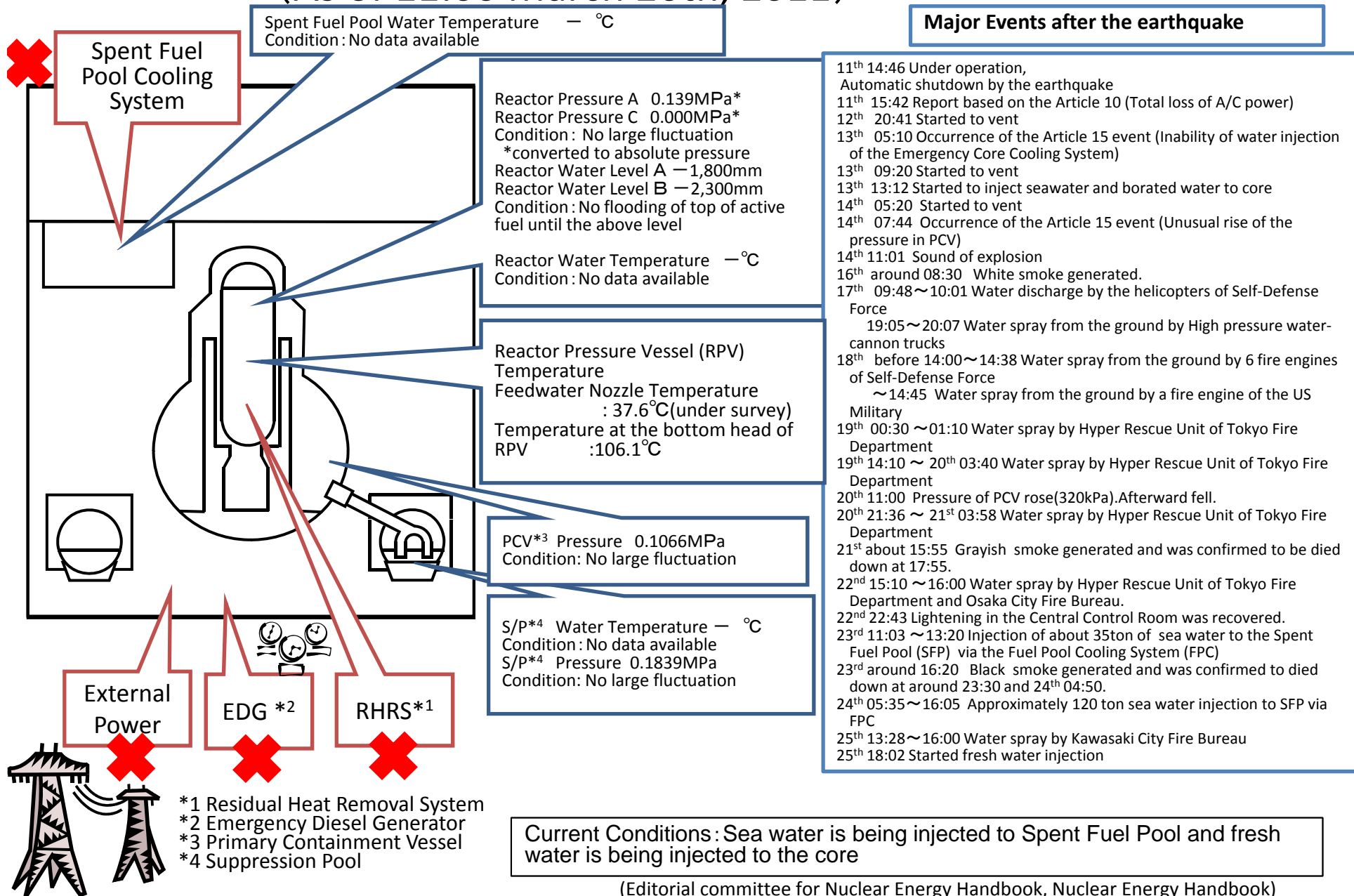


Conditions of Fukushima Dai-ichi Nuclear Power Station **Unit 2** (As of 11:00 March 26th, 2011)



Conditions of Fukushima Dai-ichi Nuclear Power Station Unit 3

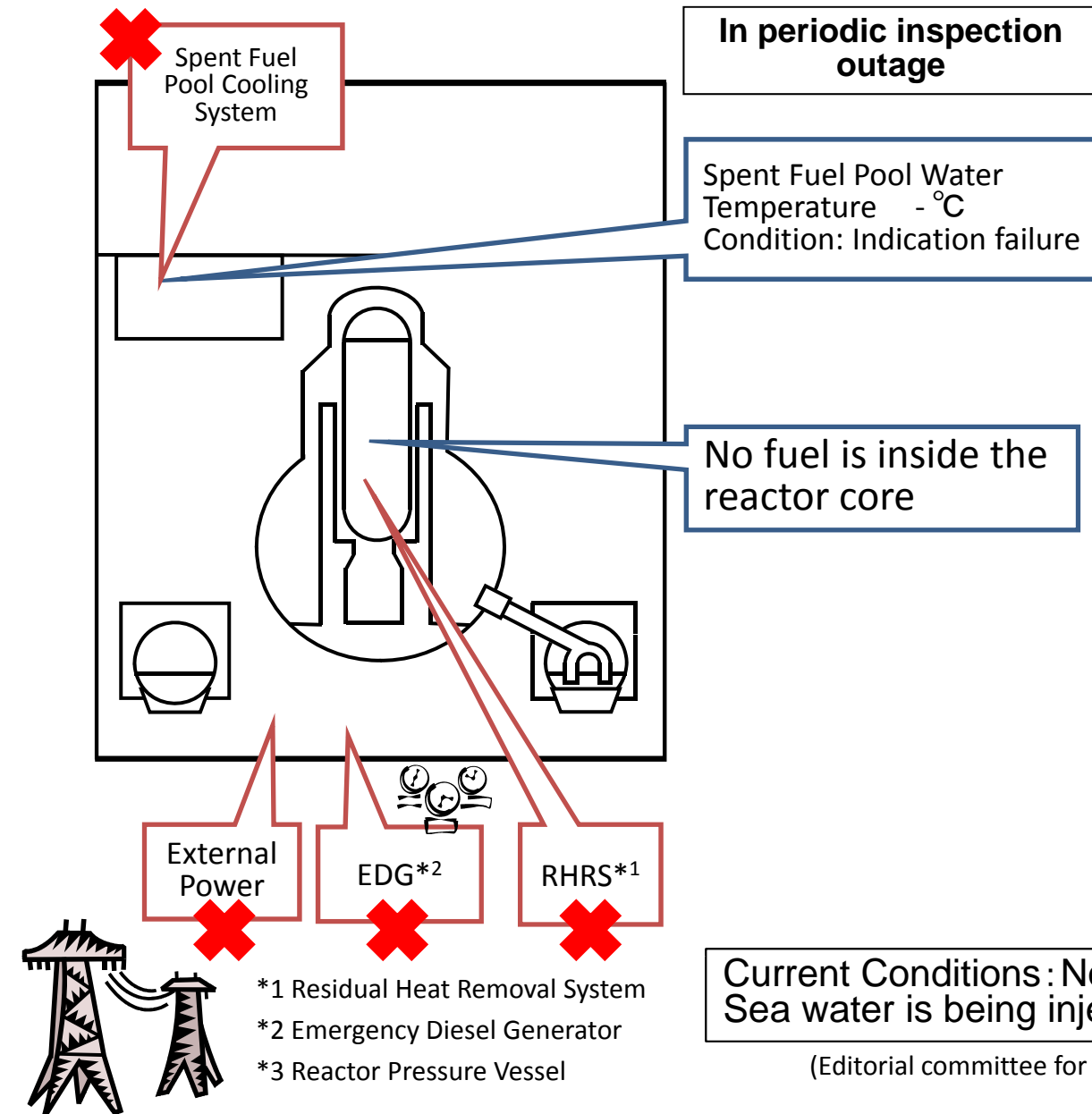
(As of 11:00 March 26th, 2011)



Conditions of Fukushima Dai-ichi Nuclear Power Station **Unit 4**

(As of 11:00 March 26th, 2011)

Major events after the earthquake



In periodic inspection outage when the earthquake occurred.

11th 15:42 Report based on the Article 10 (Total loss of A/C power)

14th 04:08 Water temperature in the Spent Fuel Pool, 84°C

15th 06:14 Partial damage of wall in the 4th floor confirmed

15th 09:38 Fire occurred in the 3rd floor. (12:25 extinguished)

16th 05:45 Fire occurred. TEPCO couldn't confirm any fire on the ground. (06:15)

20th 08:21~09:40 Water spray over the Spent Fuel Pool (SFP) by Self-Defense Force

20th around 18:30~19:46 Water spray over the Spent Fuel Pool by Self-Defense Force

21st 06:37~08:41 Water spray over the Spent Fuel Pool by Self-Defense Force

21st about 15:00 Work for laying cable to Power Center was completed.

22nd 10:35 Power Center received electricity

22nd 17:17~20:32 Water spray by Concrete Pump Track

23rd 10:00~13:02 Water spray by Concrete Pump Track

24th 14:36~17:30 Water spray by Concrete Pump Track

25th 06:05~10:20 Sea water injection to SFP via the Fuel Pool Cooling System (FPC)

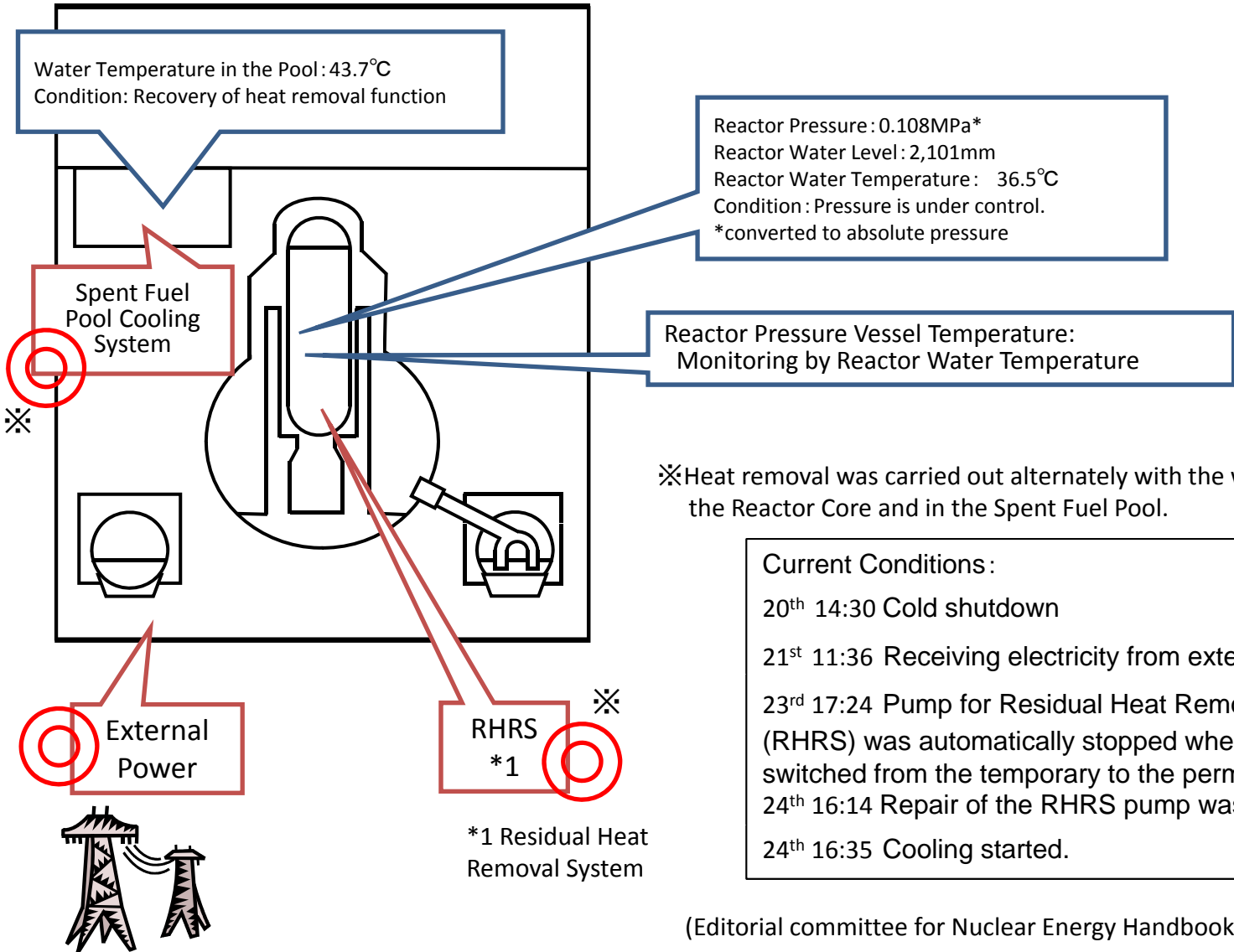
25th 19:05~22:07 Water spray by Concrete Pump Track

**Current Conditions: No fuel is in RPV*3.
Sea water is being injected to Spent Fuel Pool.**

(Editorial committee for Nuclear Energy Handbook, Nuclear Energy Handbook)

Conditions of Fukushima Dai-ichi Nuclear Power Station **Unit 5** (As of 11:00 March 26th, 2011)

In periodic inspection outage



※Heat removal was carried out alternately with the water in the Reactor Core and in the Spent Fuel Pool.

Current Conditions:

- 20th 14:30 Cold shutdown
- 21st 11:36 Receiving electricity from external power supply
- 23rd 17:24 Pump for Residual Heat Removal Seawater System (RHRS) was automatically stopped when the power supply was switched from the temporary to the permanent.
- 24th 16:14 Repair of the RHRS pump was completed.
- 24th 16:35 Cooling started.

(Editorial committee for Nuclear Energy Handbook, Nuclear Energy Handbook)

Conditions of Fukushima Dai-ichi Nuclear Power Station **Unit 6**

(As of 11:00 March 26th, 2011)

In periodic inspection outage

