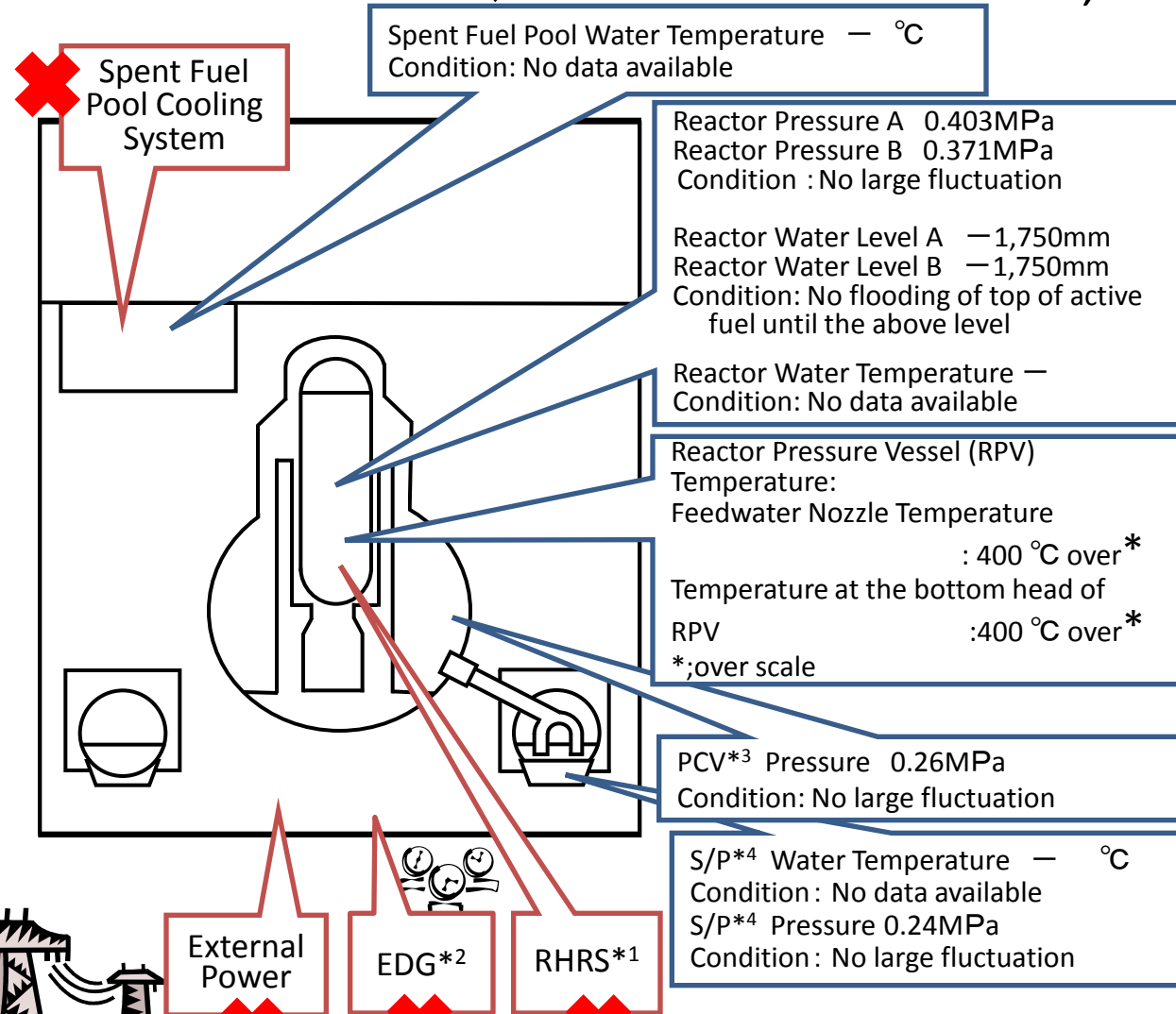


Conditions of Fukushima Dai-ichi Nuclear Power Station **Unit 1**

(As of 06:00 March 23rd, 2011)



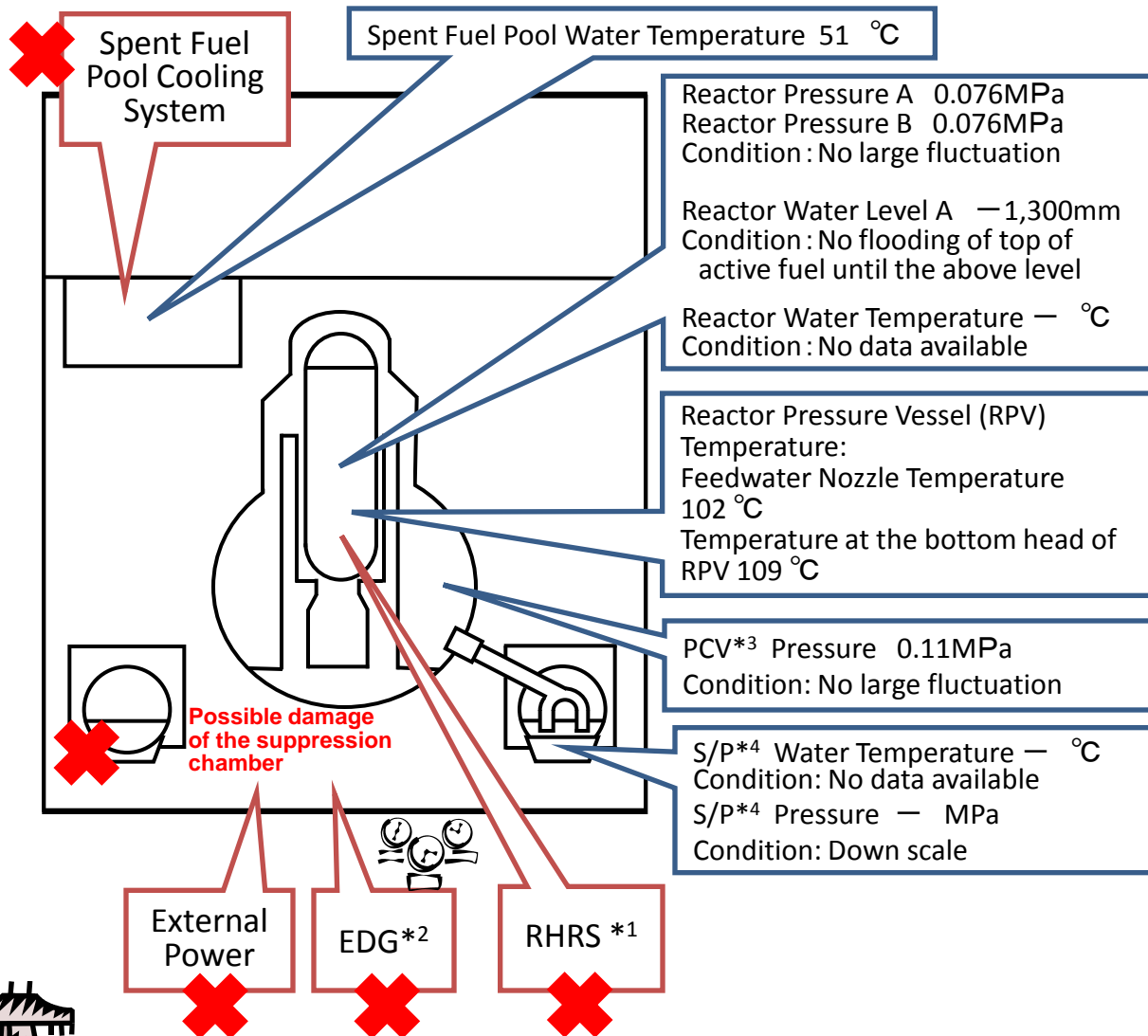
Major Events after the earthquake

- 11th 14:46 : Under operation, Automatic shutdown by the earthquake
- 11th 15:42 : Report based on the Article 10 (Total loss of A/C power)
- 11th 16:36: Occurrence of the Article 15 event (Inability of water injection of the Emergency Core Cooling System)
- 12th 1:20 Occurrence of the Article 15 event (Unusual rise of the pressure in PCV)
- 12th 14:30 Started to vent
- 12th 15:36 Sound of explosion
- 12th 20:20 Started to inject seawater and borated water to core
- 23rd 02:33 The amount of injected water to the Reactor Core was increased utilizing water supply line in addition to the Fire Extinguish line (2m³/h →18m³/h)

*1 Residual Heat Removal System
 *2 Emergency Diesel Generator
 *3 Primary Containment Vessel
 *4 Suppression Pool

Current Conditions : Seawater is being injected to the core

Conditions of Fukushima Dai-ichi Nuclear Power Station Unit 2 (As of 06:00 March 23rd, 2011)



Major Events after the earthquake

- 11th 14:46 Under operation, Automatic shutdown by the earthquake
- 11th 15:42 Report based on the Article 10 (Total loss of A/C power)
- 11th 16:36 Occurrence of the Article 15 event (Inability of water injection of the Emergency Core Cooling System)
- 14th 13:25 Occurrence of the Article 15 event (Loss of reactor cooling functions)
- 14th 22:50 Occurrence of the Article 15 event (Unusual rise of the pressure in PCV)
- 15th 6:10 Sound of explosion
- 15th around 6:20 Possible damage of the suppression chamber
- 20th 15:05~17:20 Approximately 40 ton seawater injection to the Spent Fuel Pool (SFP) via Fuel Pool Cooling System (FPC)
- 20th 15:46 Power Center received electricity.
- 21st 18:22 White smoke generated. The smoke died down and almost invisible.
- 22nd 16:07 Injection of around 18 tons of seawater to the Spent Fuel Pool

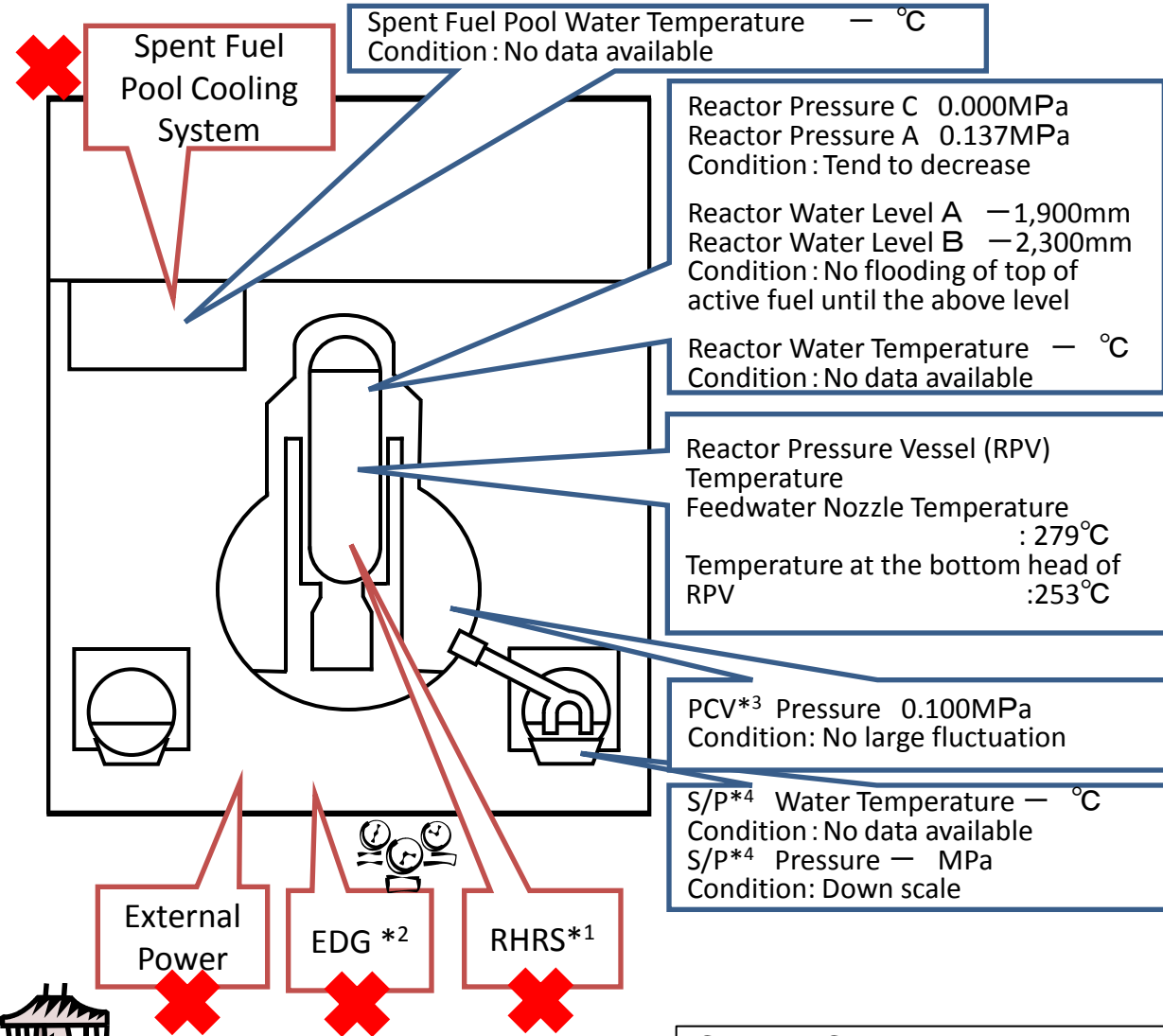
Current Conditions: Seawater is being injected to the core

- *1 Residual Heat Removal System
- *2 Emergency Diesel Generator
- *3 Primary Containment Vessel
- *4 Suppression Pool

Conditions of Fukushima Dai-ichi Nuclear Power Station Unit 3

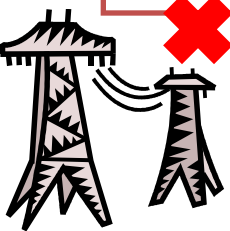
(As of 06:00 March 23rd, 2011)

Major Events after the earthquake



- 11th 14:46 Under operation, Automatic shutdown by the earthquake
- 11th 5:42 Report based on the Article 10 (Total loss of A/C power)
- 13th 5:10 Occurrence of the Article 15 event (Inability of water injection of the Emergency Core Cooling System)
- 13th 9:20 Started to vent
- 14th 7:44 Occurrence of the Article 15 event (Unusual rise of the pressure in PCV)
- 14th 11:01 Sound of explosion
- 16th around 8:30 White smoke generated.
- 17th 9:48~10:01 Water discharge by the helicopters of Self-Defense Force (4 times)
19:05~20:07 Water spray from the ground by High pressure water-cannon trucks (Police: once, Self-Defense Force: 5 times)
- 18th before 14:00~14:38 Water spray from the ground by 6 fire engines of Self-Defense Force
~14:45 Water spray from the ground by a fire engine of the US Military
- 19th 0:00 ~01:00 Water spray by Tokyo Fire Department
- 19th 14:10 ~ 20th 3:40 Water spray by Tokyo Fire Department
- 20th 11:00 Pressure of PCV rose(320kPa).Afterward fell.
- 20th 20:39 ~ 21st 3:58 Water spray by Tokyo Fire Department
- 21st about 15:55 Grayish smoke generated and was confirmed to be died down at 17:55.
- 22nd 15:10 ~15:59 Water spray by Tokyo Fire Department
- 22nd 22:43 Lightening in the Central Control Room was recovered.

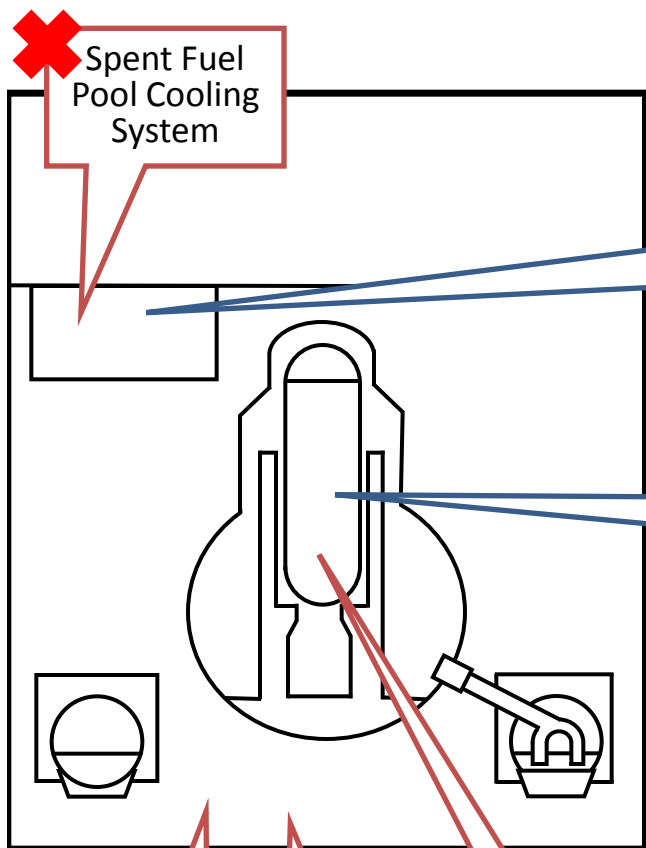
Current Conditions : Water spray to Spent Fuel Pool and sea water injection to the Reactor Core



*1 Residual Heat Removal System
*2 Emergency Diesel Generator
*3 Primary Containment Vessel
*4 Suppression Pool

Conditions of Fukushima Dai-ichi Nuclear Power Station Unit 4

(As of 06:00 March 23rd, 2011)



In periodic inspection outage

Water temperature in the pools is not available

No fuel is inside the reactor core

Major events after the earthquake

In periodic inspection outage when the earthquake occurred.
11th 15:42 Report based on the Article 10 (Total loss of A/C power)
14th 4:08 Water temperature in the Spent Fuel Pool, 84°C
15th 6:14 Damage of wall in the 4th floor confirmed
15th 9:38 Fire occurred in the 3rd floor. (12:25 extinguished)
16th 5:45 Fire occurred. TEPCO couldn't confirm any fire on the ground. (6:15)
20th 9:43 Water spray over the Spent Fuel Pool by Self-Defense Force
20th around 18:30~19:46 Water spray over the Spent Fuel Pool by Self-Defense Force
21st 6:37~8:41 Water spray over the Spent Fuel Pool by Self-Defense Force
21st about 15:00 Work for laying cable to Power Center was completed.
22nd 10:35 Power Center received electricity
22nd 17:17~20:32 Water spray by Concrete Pump Track

External Power

EDG*2

RHRS*1

Current Conditions: No fuel is in RPV*3. Water was evaluated to remain in the Pool (by TEPCO)

*1 Residual Heat Removal System

*2 Emergency Diesel Generator

*3 Reactor Pressure Vessel

Conditions of Fukushima Dai-ichi Nuclear Power Station Unit 5 (As of 06:00 March 23rd, 2011)

In periodic inspection outage

Water Temperature in the Pool: 36.6°C
Condition: Recovery of heat removal function

Spent Fuel Pool Cooling System

Reactor Pressure: 0.107MPa
Reactor Water Level: 1.814mm
Reactor Water Temperature: 34.2°C
Condition: Pressure is under control.

Reactor Pressure Vessel Temperature:
Monitoring by Reactor Water Temperature

※ Heat removal was carried out alternately for the water in the Reactor Core and the Spent Fuel Pool.

External Power

RHRS
*1

*1 Residual Heat Removal System

Current Conditions:
Cold shutdown at 14:30 March 20th.
Receiving electricity from external power supply from 11:36 March 21st.



Conditions of Fukushima Dai-ichi Nuclear Power Station Unit 6

(As of 06:00 March 23rd, 2011)

In periodic inspection outage

Current Conditions:

Cold shutdown at 19:27 March 20th

Receiving electricity from external power supply from 19:17 March 22nd.

Water Temperature in the Pool: 21.0°C
Condition: Recovery of heat removal function.

Spent Fuel Pool Cooling System ❖

Reactor Pressure: 0.109MPa
Reactor Water Level: 2,655mm
Reactor Water Temperature: 54.0°C
Condition: Pressure is under control.

Reactor Pressure Vessel Temperature:
Monitoring by Reactor Water Temperature

External Power

RHRS*1 ❖

*1 Residual Heat Removal System

❖ Heat removal was carried out alternately for the water in the Reactor Core and the Spent Fuel Pool.

