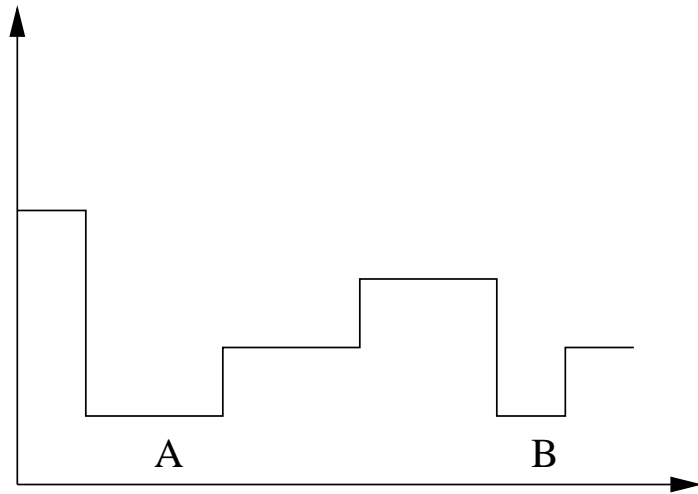
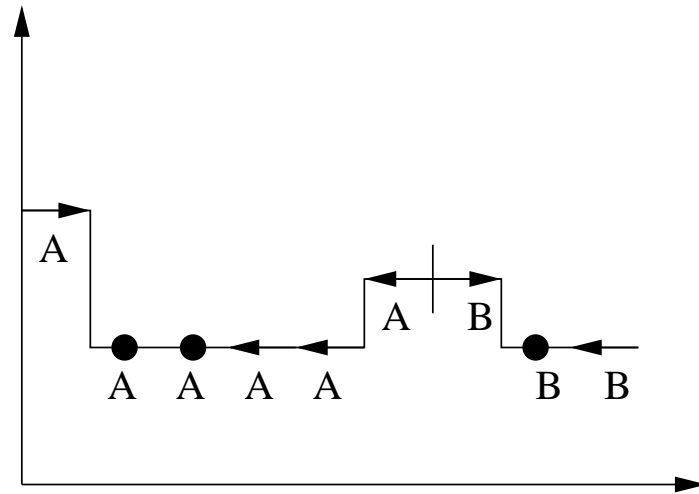


# Classical watershed transform

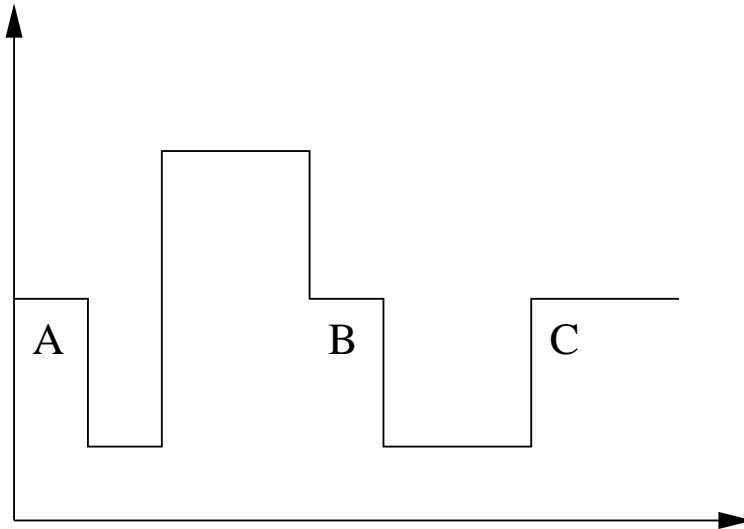


(a) Image with two regional minima

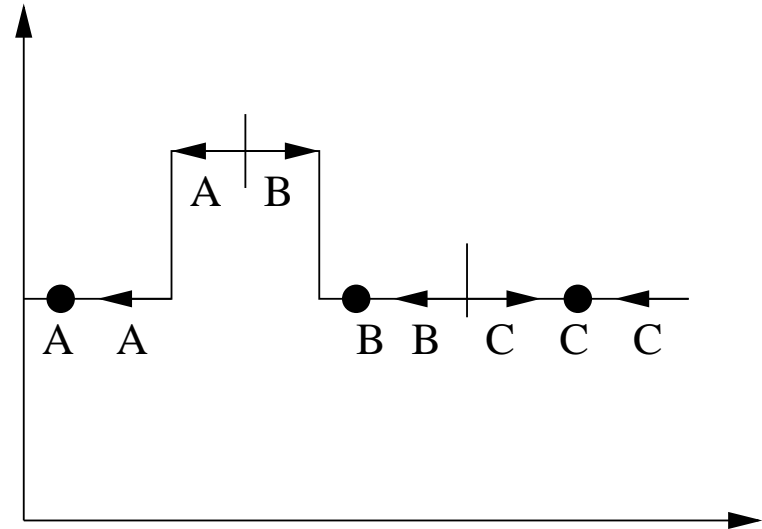


(b) Classical watershed transform with FIFO

# Watershed transform from markers

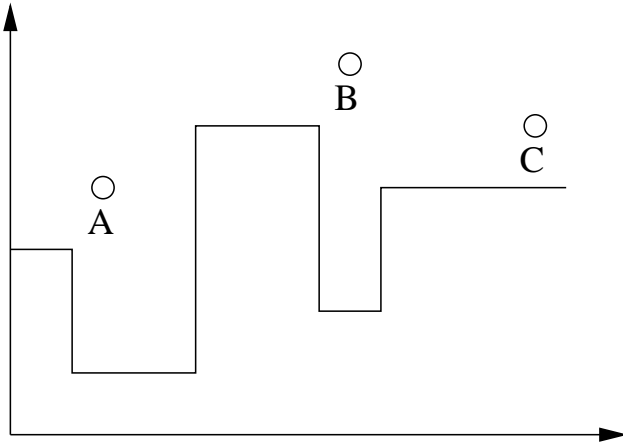


(a) Image with markers A,B, and C

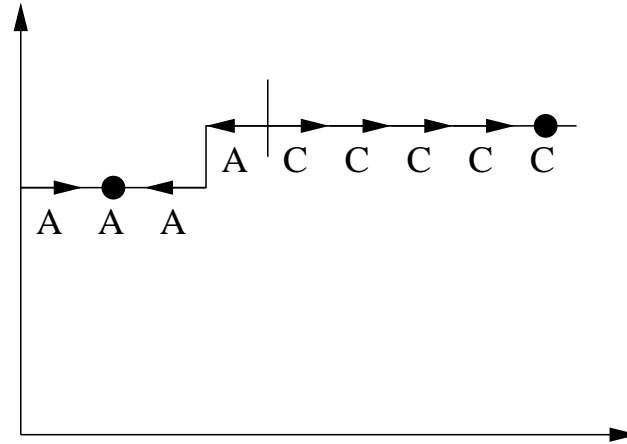


(b) Watershed with FIFO

# Watershed and superior reconstruction



(a) Image and markers A,B, and C



(b) Watershed and superior reconstruction with FIFO